

DC FAN

80mm×80mm×25mm

- Housing: Plastic P.B.T.
- Blade: Plastic P.B.T.
- Insulation Resistance: 10M Ω at 500VDC between lead and frame
- Dielectric Strength: 1 min at 500VAC/50-60HZ , current <5mA
- Operation Temperature: -15° C ~ 75° C
- Operation Humidity: 20%~85%
- Working voltage: Rated Voltage \pm 15%
- Life at 25° C : Ball bearing 60,000hr, sleeve bearing 30,000hr



Specification Table

Model	Bearing Style	Voltage VDC	Current AMP	Input Watts	Speed RPM	Airflow CFM	AirPressure mmH ₂ O	Noise dBA	Weight
XD8025D12US	S	12	0.26	3.12	3600	44.5	5.7	40.0	75g
XD8025D12HS	S	12	0.20	2.40	3200	40.3	5.0	37.0	
XD8025D12MS	S	12	0.15	1.80	2500	30.3	3.0	30.0	
XD8025D12LS	S	12	0.12	1.44	2200	26.5	2.3	25.9	
XD8025D12DS	S	12	0.08	0.96	1900	21.3	1.4	20.0	
XD8025D12UB	B	12	0.26	3.12	3700	45.0	6.0	40.4	
XD8025D12HB	B	12	0.20	2.40	3400	41.3	5.2	38.0	
XD8025D12MB	B	12	0.15	1.80	2600	31.3	3.5	31.4	
XD8025D12LB	B	12	0.12	1.44	2300	27.5	2.6	27.4	
XD8025D12DB	B	12	0.08	0.96	2000	23.3	1.5	22.0	
XD8025D24US	S	24	0.15	3.60	3600	44.0	5.9	38.1	
XD8025D24HS	S	24	0.11	2.64	3300	39.3	5.0	36.0	
XD8025D24MS	S	24	0.09	2.16	2700	32.3	3.6	31.4	
XD8025D24LS	S	24	0.07	1.68	2200	25.0	2.4	26.4	
XD8025D24UB	B	24	0.15	3.60	3700	46.0	6.1	40.4	
XD8025D24HB	B	24	0.11	2.64	3400	41.3	5.2	38.0	
XD8025D24MB	B	24	0.09	2.16	2800	34.3	3.8	33.4	
XD8025D24LB	B	24	0.07	1.68	2300	27.1	2.6	27.4	

S: SLEEVE BEARING B: 1 BALL+SLEEVE or 2 BALL BEARING

Housing : PBT Engineering Plastics

Size : 92*92*25mm

Blade : PBT Engineering Plastics

Packing : 100CS/CTN

MEAS : 47*27*23cm

G.W : 9kgs N.W : 8kgs



Parameter Watch

Model XD9225DC	Bearing	Voltage	Current	Power	Speed	Airflow	AirPressure	Noise	Weight
P/N	Style	VDC	AMP	Watts	RPM	CFM	mmH ₂ O	dBa	
XD9225D12HS	S	12	0.28	3.36	3000	62.0	3.9	38.4	87g
XD9225D12MS	S	12	0.21	2.52	2600	58.5	3.6	36.0	
XD9225D12LS	S	12	0.16	1.92	2300	49.3	2.6	30.5	
XD9225D12HB	B	12	0.28	3.36	3100	63.0	4.0	39.4	
XD9225D12MB	B	12	0.21	2.52	2700	59.5	3.7	37.0	
XD9225D12LB	B	12	0.16	1.92	2400	50.3	2.7	31.7	
XD9225D24HS	S	24	0.16	3.84	3000	62.0	3.9	38.4	
XD9225D24MS	S	24	0.13	3.12	2600	58.5	3.6	36.0	
XD9225D24LS	S	24	0.08	1.92	2300	49.3	2.6	30.5	
XD9225D24HB	B	24	0.16	3.84	3100	63.0	4.0	39.4	
XD9225D24MB	B	24	0.13	3.12	2700	59.5	3.7	37.0	
XD9225D24LB	B	24	0.08	1.92	2400	50.3	2.7	31.7	

S oil bearing

B Ball bearing

Insulating aterial centigrade : 10MΩ at , 500VDC between lead and frame

Inner press : 500VAC/min ,current <5mA

Working temperature : -20° C ~80° C

Working temperature : 20%~85%

Working pressure : Rated Voltage ± 15 %

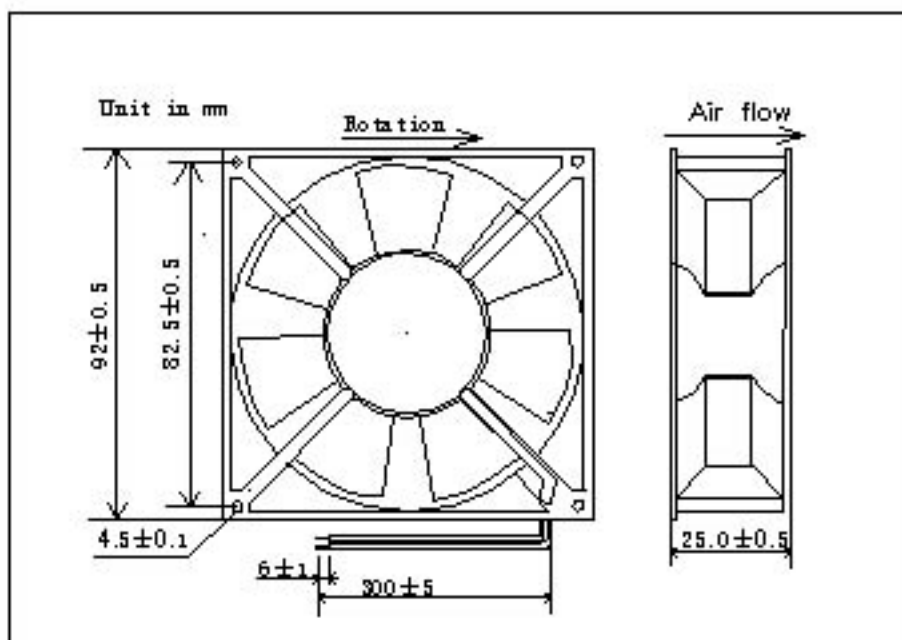
Normal temperature working time: ball bearing hour's five,oil bearing hour's three.

Conversion Table of Airflow

CFM	m ³ /sec	m ³ /min	ft ³ /sec
2118	1	60	35.31
35.31	0.01666	1	0.5885
60	0.02832	1.69833	1
1	0.00047	0.02832	0.01666

Conversion Table of Air Pressure

mmH ₂ O	inH ₂ O	Pa=N/m	afm
1	0.03939	9.80665	0.00009
25.4	1	249	0.00246
0.10197	0.0040	1	0.00001
10332	407.1	101325	1



DC FAN

120mm×120mm×25mm

- Housing: Plastic P.B.T.
 - Blade: Plastic P.B.T.
 - Insulation Resistance: 10MΩ at 500VDC between lead and frame
 - Dielectric Strength: 1 min at 500VAC/50-60HZ , current < 5mA
 - Operation Temperature: -15°C ~ 75°C
 - Operation Humidity: 20% ~ 85%
 - Working voltage: Rated Voltage ± 15%
- Life at 25°C : Ball bearing 60,000hr, sleeve bearing 30,000hr

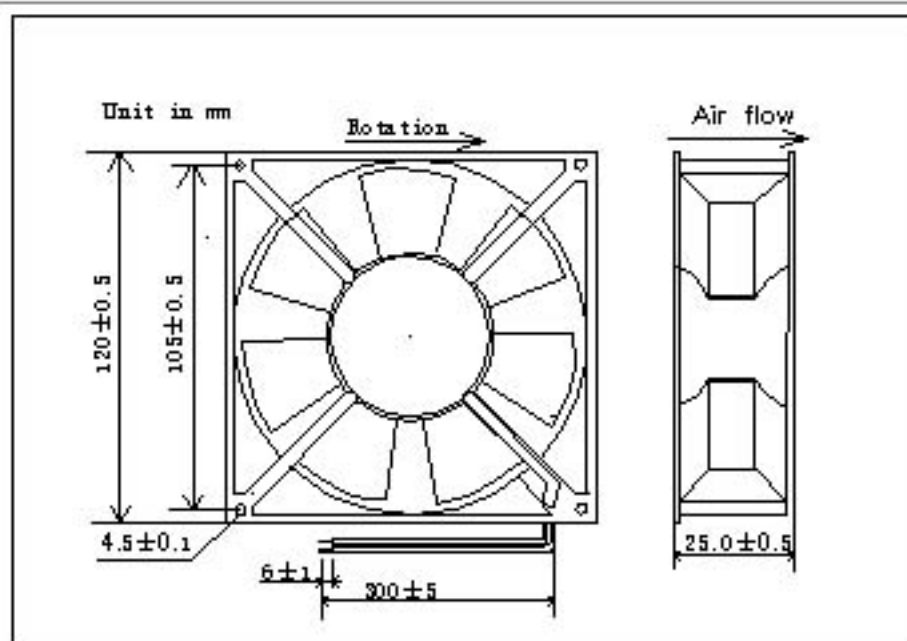


Specification Table

Model	Bearing Style	Voltage VDC	Current AMP	Input Watts	Speed RPM	Airflow CFM	Air Pressure mmH ₂ O	Noise dBA	Weight
XD1225D12HS	S	12	0.46	5.52	2500	100	6.0	43.3	160g
XD1225D12MS	S	12	0.29	3.84	2100	90	4.5	38.0	
XD1225D12LS	S	12	0.19	2.28	1800	75	3.3	35.5	
XD1225D12HB	B	12	0.46	5.52	2600	105	6.2	44.3	
XD1225D12MB	B	12	0.29	3.84	2200	92	4.7	39.0	
XD1225D12LB	B	12	0.19	2.28	1900	78	3.5	36.5	
XD1225D24HS	S	24	0.28	6.72	2500	100	6.0	43.3	
XD1225D24MS	S	24	0.16	3.84	2100	90	4.5	38.0	
XD1225D24LS	S	24	0.10	2.40	1800	75	3.3	35.5	
XD1225D24HB	B	24	0.28	6.72	2600	105	6.2	44.3	
XD1225D24MB	B	24	0.16	3.84	2200	92	4.7	39.0	
XD1225D24LB	B	24	0.10	2.40	1900	78	3.5	36.5	

S: SLEEVE BEARING

B: 1 BALL+SLEEVE or 2 BALL BEARING



Conversion Table of Airflow

CFM	m ³ /sec	m ³ /min	ft ³ /sec
2118	1	60	35.31
35.31	0.01666	1	0.5885
60	0.02832	1.69833	1
1	0.00047	0.02832	0.01666

Conversion Table of Air Pressure

mmH ₂ O	inH ₂ O	Pa=N/m	afm
1	0.03939	9.80665	0.00009
25.4	1	249	0.00246
0.10197	0.0040	1	0.00001
10332	407.1	101325	1

General value here, fans are customized to meet specific customer requirement.

Housing : PBT Engineering Plastics

Size : 120*120*38mm

Blade : PBT Engineering Plastics

Packing : 40CS/CTN

MEAS : 51*30*29cm

G.W : 12kgs N.W : 11kgs



Parameter Watch

Model	Bearing Style	Voltage VDC	Current AMP	Power Watts	Speed RPM	Airflow CFM	AirPressure mmH ₂ O	Noise dBA	Weight
XD12038DC									
P/N									
XD12038D12HS	S	12	0.50	6.00	2300	100.5	5.3	38.8	220g
XD12038D12MS	S	12	0.35	4.20	1900	85.0	3.7	34.0	
XD12038D12LS	S	12	0.24	2.88	1700	68.3	3.0	30.9	
XD12038D12HB	B	12	0.50	6.00	2400	104.8	5.6	40.8	
XD12038D12MB	B	12	0.35	4.20	2000	90.0	4.0	36.0	
XD12038D12LB	B	12	0.24	2.88	1800	72.3	3.2	32.9	
XD12038D24HS	S	24	0.30	7.20	2300	100.5	5.3	38.8	
XD12038D24MS	S	24	0.20	4.80	1900	85.0	3.7	34.0	
XD12038D24HB	B	24	0.30	7.20	2400	104.8	5.6	40.8	
XD12038D24MB	B	24	0.20	4.80	2000	90.0	4.0	36.0	
XD12038D48HS	S	48	0.15	7.20	2300	100.5	5.3	38.8	
XD12038D48MS	S	48	0.12	6.76	1900	85.0	3.7	34.0	
XD12038D48LS	S	48	0.10	4.80	1700	68.3	3.0	30.9	
XD12038D48HB	B	48	0.15	7.20	2400	104.8	5.6	40.8	
XD12038D48MB	B	48	0.12	6.76	2000	90.0	4.0	36.0	
XD12038D48LB	B	48	0.10	4.80	1800	72.3	3.2	32.9	
S oil bearing					B Ball bearing				
Insulating aterial centigrade : 10MΩ at 500VDC between lead and frame					Inner press : 500VAC/min ,current <5mA				
Working temperature : -20° C ~80° C					Working temperature : 20%~85%				
Working pressure : Rated Voltage ± 15 %					Normal temperature working time: ball bearing hour's five,oil bearing hour's three.				

Conversion Table of Airflow

CFM	m ³ /sec	m ³ /min	ft ³ /sec
2118	1	60	35.31
35.31	0.01666	1	0.5885
60	0.02832	1.69833	1
1	0.00047	0.02832	0.01666

Conversion Table of Air Pressure

mmH ₂ O	inH ₂ O	Pa=N/m	afm
1	0.03939	9.80665	0.00009
25.4	1	249	0.00246
0.10197	0.0040	1	0.00001
10332	407.1	101325	1

